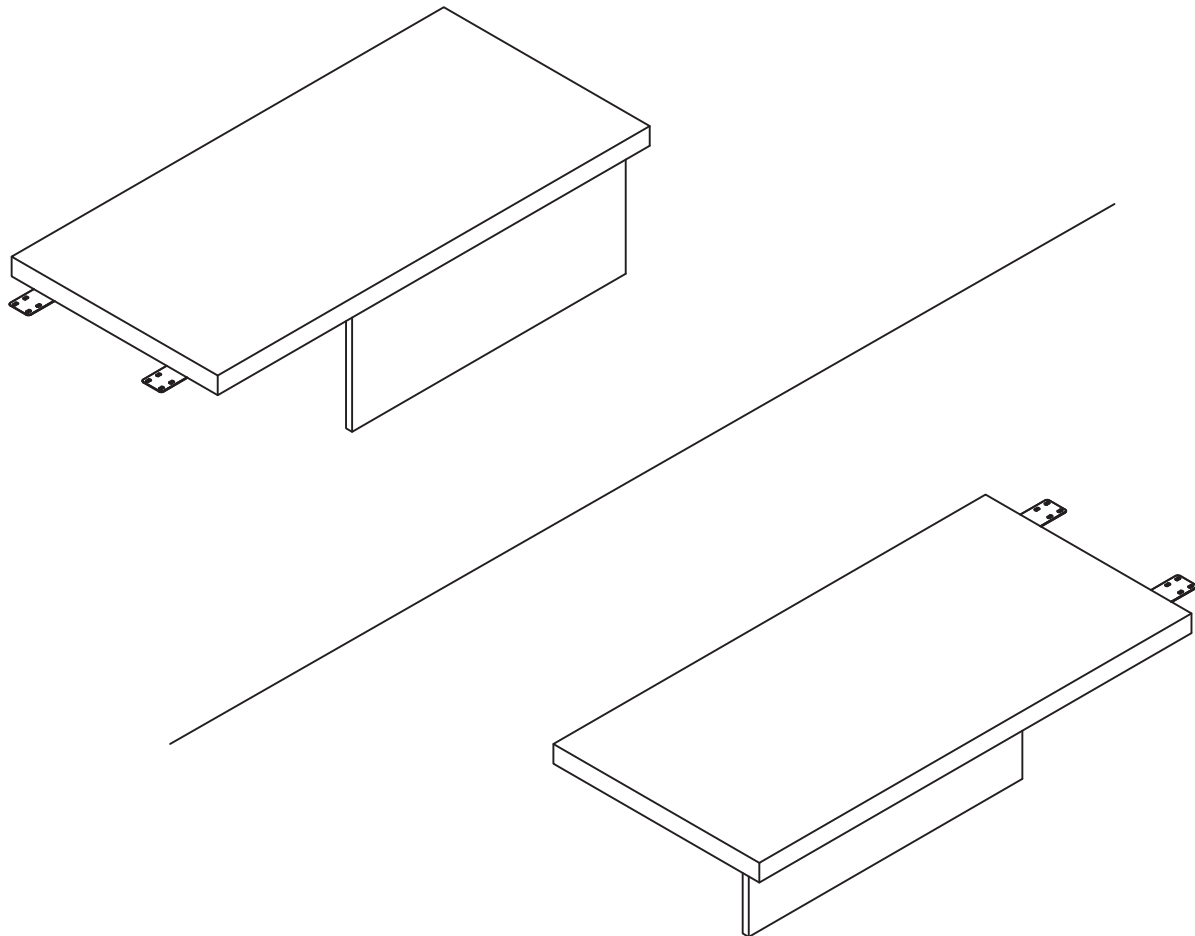


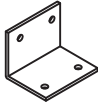
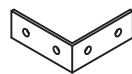
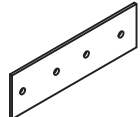
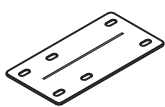











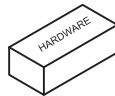
Mirella Series
Universal Return Top
Model No. MRRTN48T & MRRTN42T

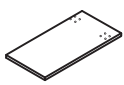


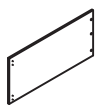
For questions or concerns, please call 1-888-971-6225 available
Monday-Friday 7:30 AM to 5:00 PM (Central Time)
(English-speaking operators)

PARTS LIST

Name	Part	Qty.	Spare Qty
A	 50*30*2mm HB	2	
B	 100*100*38*4mm HB	1	
C	 200*38*4mm	1	
D	 150*90*3mm HB	2	
E	 Cam Post HB	3	1
F	 Cam Lock HB	3	1
G	 Cam Sticker HB	3	1

Name	Part	Qty.	Spare Qty
H	 M4*14mm HB	16	2
I	 M6*15mm HB	12	1
J	 M6*15mm HB	8	1
K	 M6*35mm HB	2	
L	 M6 Nut HB	2	
M	 wrench HB	1	
	 MRRTN42-48THB		

Name	Part	Qty.
N	 Top Panel	1

Name	Part	Qty.
O	 Modesty Panel	1

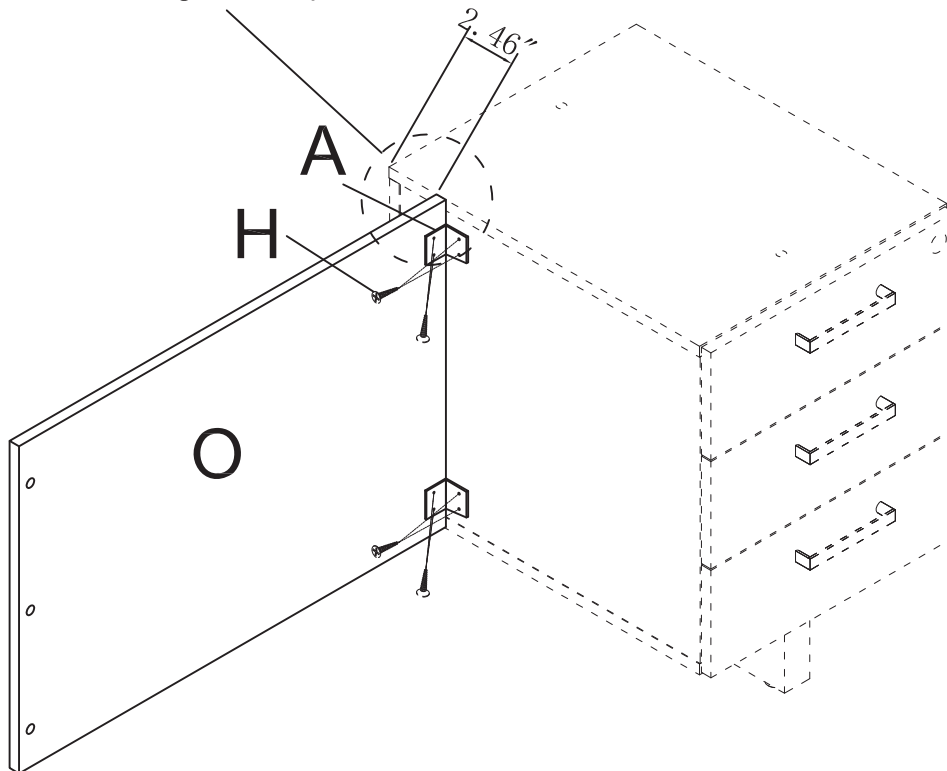
Items with HB are in hardware box.

IMPORTANT!

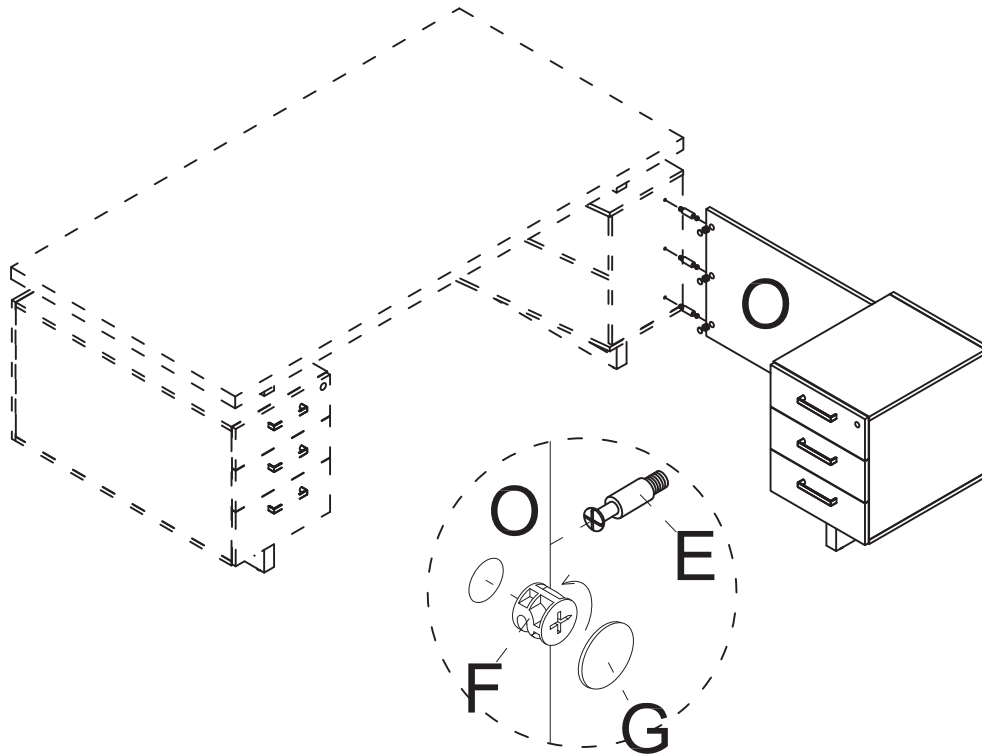
Review ALL instructions before beginning assembly. These instructions are provided to avoid problems that may occur from improper assembly or installation. SAFCO and/or its distributor are not responsible for failure resulting from improper assembly or installation of this product. Moreover, all warranties are void for failure to follow these assembly instructions.

- 1 Use the Screw (H) to attach the L Bracket (A) to connect the Modesty Panel (O) and the Pedestal;

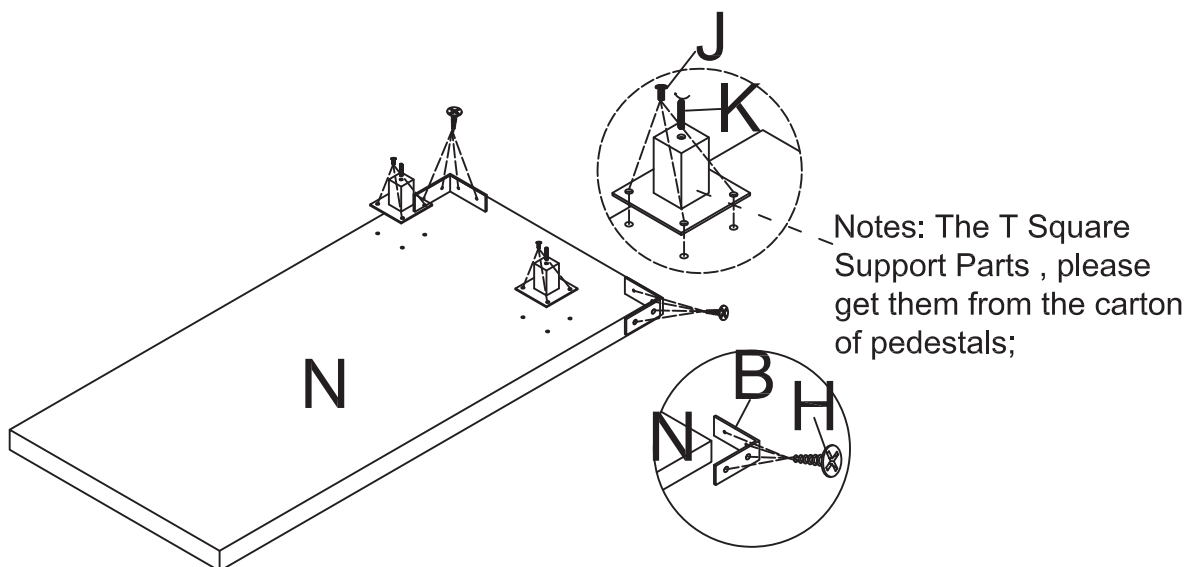
Notes: The distance is 2.46" between the modesty panel and the front edge of the pedestal



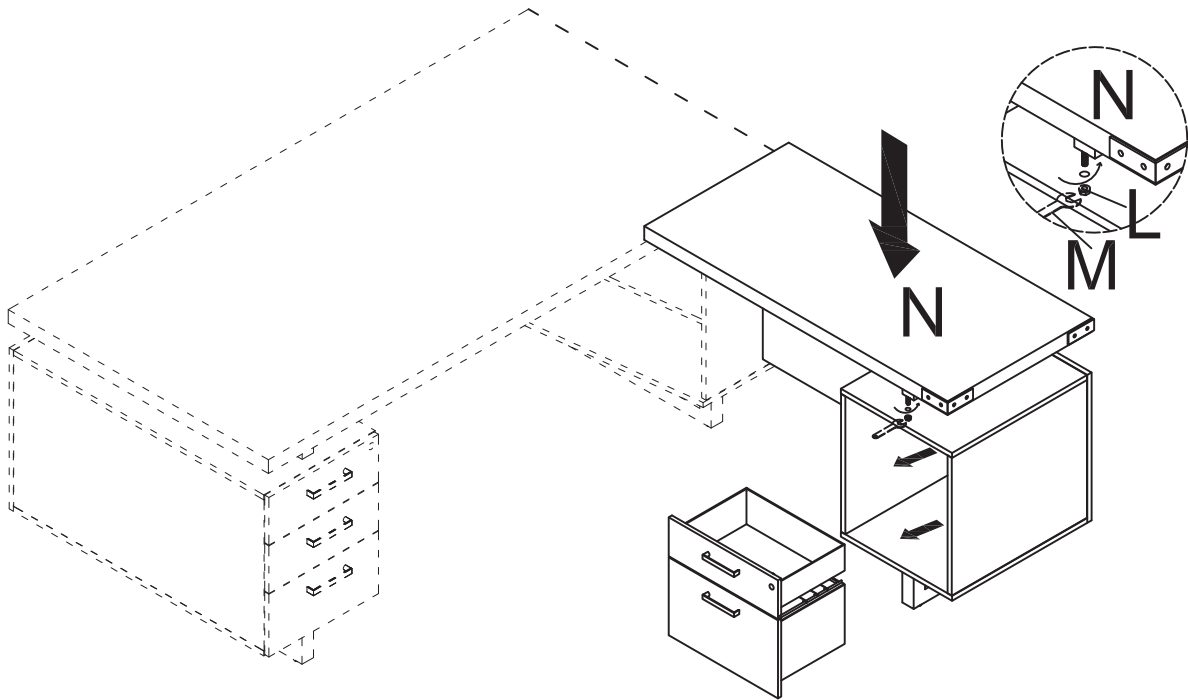
- 2** Insert the Cam Post (E) and Cam Lock (F) to the Pedestals, Lock the Cam Lock (F), Attach the Cam Sticker (G) to the Cams;



- 3** Use the Screw (H) to install the L Bracket (B) to the end edge of the Top Panel (N), Use the Screw (J) to install the T Square Support Part to the Top Panel (N), then lock the screw (K) in the T Square Support Part;



- 4** Install the Top Panel (N) on the Pedestal with the Nut (L) using the wrench (M);



- 5** Use the Screw (I) to attach the Bracket (D) to connect the bottom of the Main desk and Return, the Screw (H) to attach the Bracket (C) on the edge of the Bridge and the Main Desk

